

EcoSmart Shades - Clutch Driven Roller Shade Installation Instructions



Congratulations on your purchase of EcoSmart Roller Shades!

After 25+ years experience in the shading industry, we have combined the best fabrics and roller system available to create the EcoSmart Roller shade. Not only are our shades manufactured specifically for your window, our service after the sale is the best around. If you have any questions or problems with your shades, contact your salesperson directly and he or she will be happy to help you out.

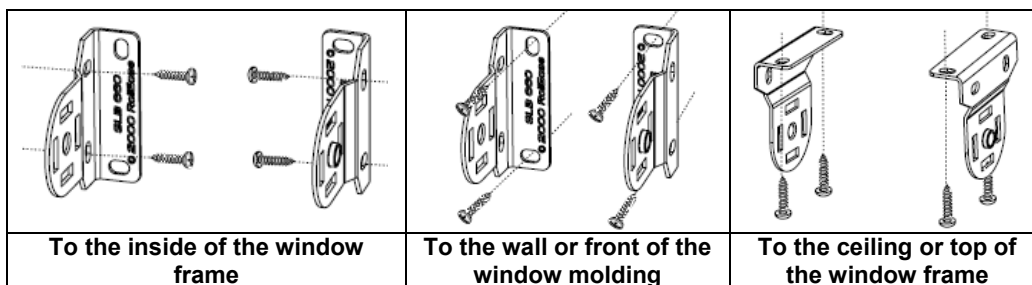
Follow the simple installation instructions below and you'll be enjoying your shades in no time flat!

<p><u>BASICS</u></p> <p>A few simple tools are required:</p> <ul style="list-style-type: none"> • Measuring Tape • Power drill, drill bits • Phillips driver bit • Pencil 		<p>Parts required for installation:</p> <ul style="list-style-type: none"> • Universal Brackets (2 per shade or 3 per 2 shades for shared brackets) • Universal Bracket covers (1 per bracket or 1 per outer bracket for shared bracket shades) • Screws (2 per bracket) • Tension device (1 per shade)
<p>Universal Brackets</p>	<p>Universal Bracket Covers (Optional for outside mount)</p>	<p>Tension Device</p>

1. BRACKET INSTALLATION

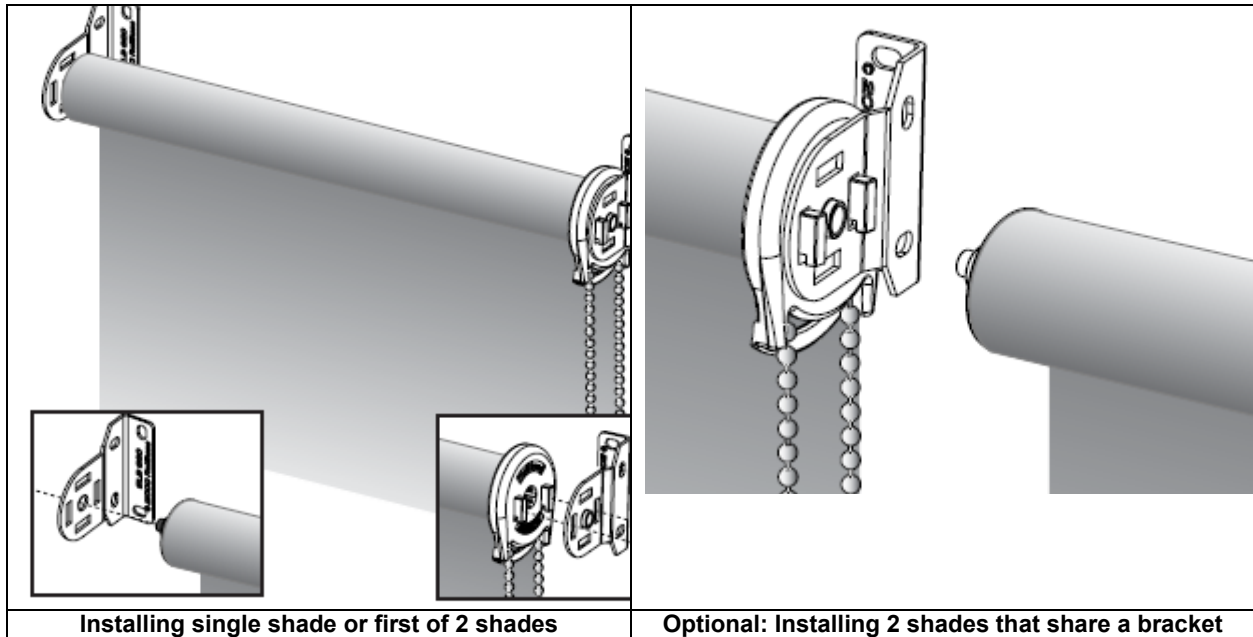
Attach the brackets to the window frame, window molding, wall or ceiling, as shown. Brackets are universal so clutch may be mounted on either side. If brackets are mounted to the wall or ceiling, measure the distance apart and mark with your pencil to ensure they are secured in the proper place before drilling holes.

Note: If sharing a standard bracket between two shades, bracket can only be shared by a clutch and a pin end, not clutch-to-clutch or pin end-to-pin end. If sharing an intermediate bracket it can only be shared by two pin ends



2. MOUNT THE SHADE

- a. Put the spring loaded pin end into the round hole of the bracket.
- b. Keeping the pin end secured in its bracket, insert the hooks on the clutch straight into the two slots in the bracket. Once the two hooks are through the slots, gently pull down on the clutch until the two hooks have locked securely to the bracket. The bottom of the clutch should point straight down.

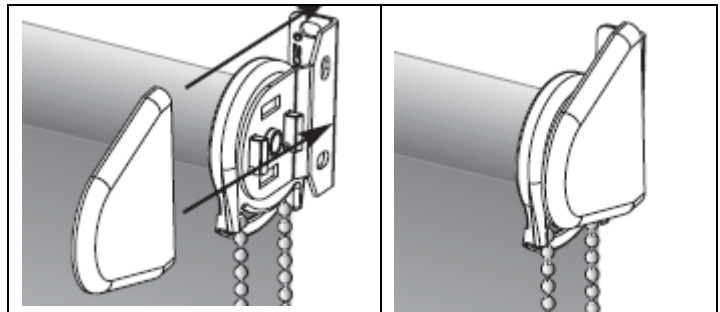


3. INSTALL THE BRACKET COVERS (Optional)

Bracket covers slide over the bracket until snapped into position. Bracket covers are optional for outside mount shades only.

4. TEST THE SHADE OPERATION

Pulling gently on the cord in one direction raises the shade; pulling it in the other direction lowers it.



5. INSTALL THE TENSION DEVICE

<p>Thread Bead chain loop through tension device as shown.</p>	<p>Make sure rib points upward when installing.</p>	<p>Slide chain through.</p>	<p>Allow some slack for connectors and stop balls to slide through easily. Attach to the wall with screws provided.</p>